

Road barrier up to 4 m.

STRENGTH AND SILENCE CONSTRUCTION;
 EASY INSTALLATION AND PROGRAMMING OF THE BARRIER
 INTENSIVE USE;
 POSSIBILITY OF INTEGRATED PHOTOCELLS;
 EASY TO USE EXTERNAL UNLOCK DEVICE;
 REVERSE;
 SLOWING DOWN SETUP ;
 OPENING SPEED 3-5 S;



Technical data

Electric parts	
Power supply (Vdc)	230
Absorbed current (A)	3,2
Performance	
Speed (m/s)	3"-5"
Max thrust (N)	205
Parameters	
Operating temp. (C°)	-20°C/+50°C
Protection level (IP)	IP 44
Operation cycle	Intensive use
Weight (kg)	55

idomus



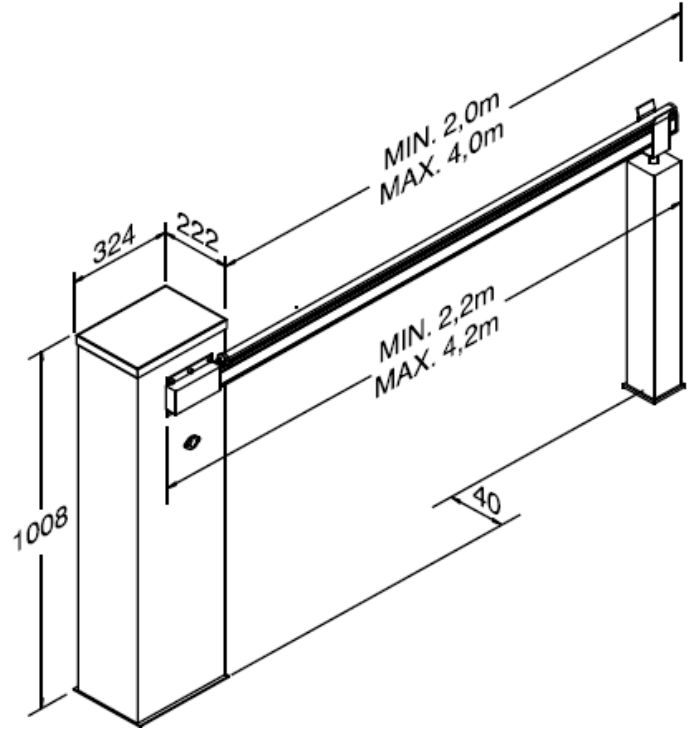
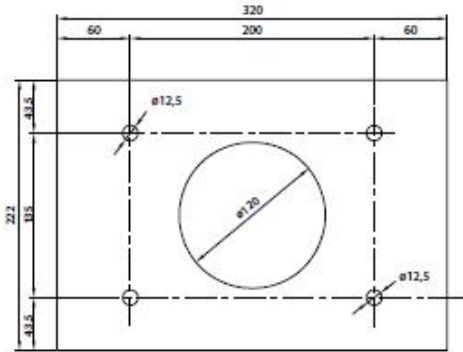
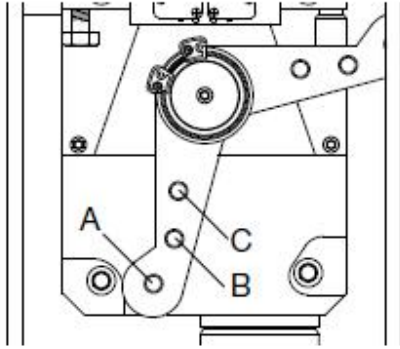
Unlock device operating very fast and easy to use



Stainless steel version available



Innovative control unit with "Pull-out" terminals.



Accessories



Transmitter
CLICK 4



LED flashing
LIGHT 230V/24V



Photocell with sun panel
GUARD Solar



Photocell
GUARD