

## Automation for garage & industrial doors

- STRENGTH AND SILENCE;
- INTENSIVE USE;
- ALL COMPONENTS ARE MADE OF STEEL AND BRONZE;
- MOTOR POWER 600 W;
- TORQUE (130 NM);
- MOTOR WITH FAST UNLOCK DEVICE;
- CONTROL PANEL SU INTEGRATED BUTTON.



Technical data	POWER 35
<b>Electric part</b>	
Power supply (Vdc)	230
Absorbed current (A)	3,3
<b>Performance</b>	
Speed (m/s)	-
Max thrust (N)	-
Max. Gate size	35 kv. m
<b>Parameters</b>	
Operating temp. (C°)	-20°/+50°
Protection level (IP)	IP 40
Operation cycle	30%
Weight (kg)	14,7

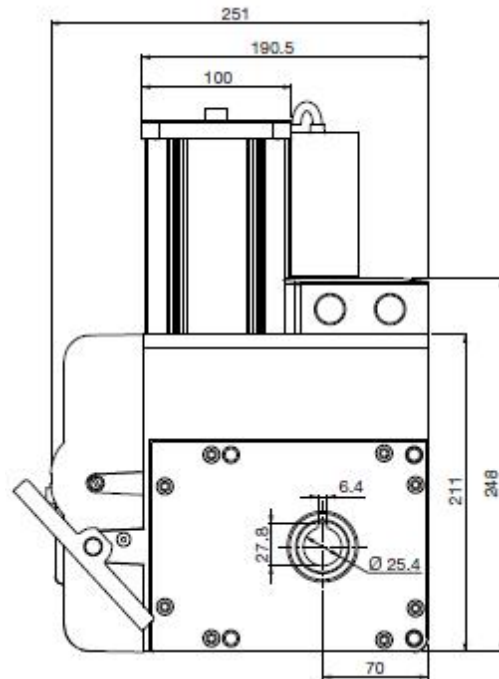
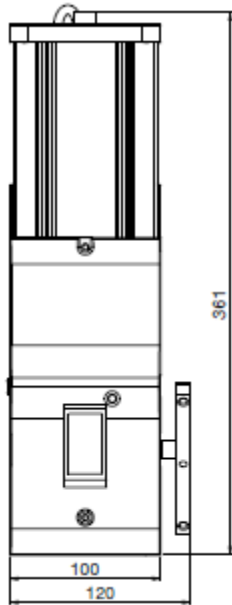
**idomus**



Functional good looks and dimensions that allow installation in the most difficult places



The mechanical components are all made of metal and submerged in oil in order to ensure a long life of the product.



## Accessories



Transmitter  
CLICK 4



LED flashing  
LIGHT 230V/24V



Photocell with sun panel  
GUARD Solar



Photocell  
GUARD