

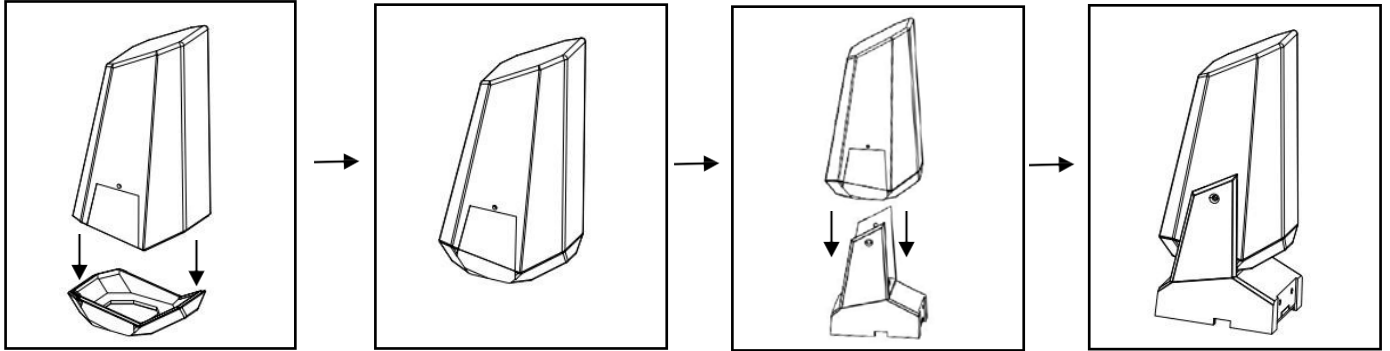
Instruction of GDO-WL01

Parameters:

Work voltage: AC/DC 12-240V

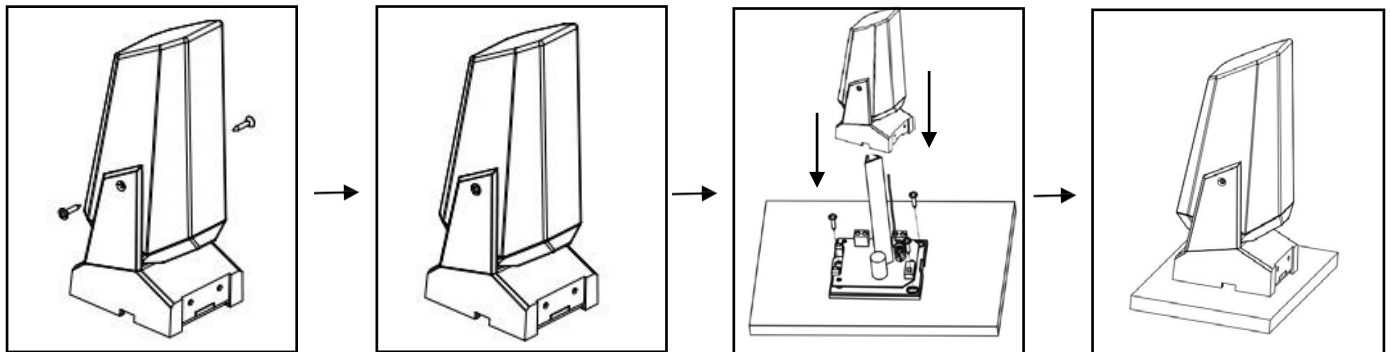
Antenna gain: 433.92 MHz

Installation 1(Horizontal plane):



1.Connect the transparent top cover&bottom cover

2.Connect the transparent cover and base



3.Fixed the transparent cover and base with screws

4.Fixed the bottom base then connect with cover

Installation 2(Vertical plane):

1. Fix the base of the connector on the wall.(Fig.4)
2. Fix the connector with warning light.(Fig.5)
3. Connecting the warning light with connector by shaft pin.(Fig.6-7)

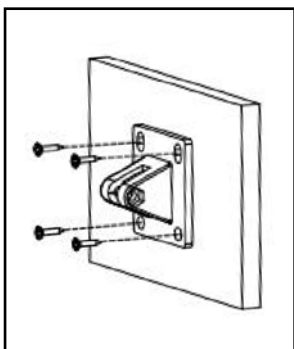


Figure 4

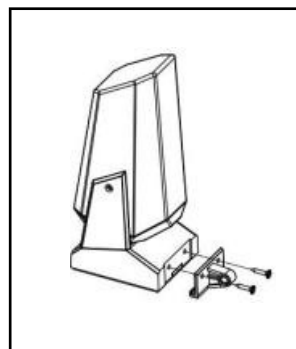


Figure 5

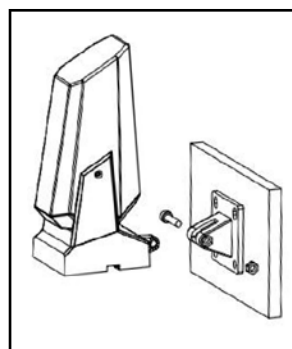


Figure 6

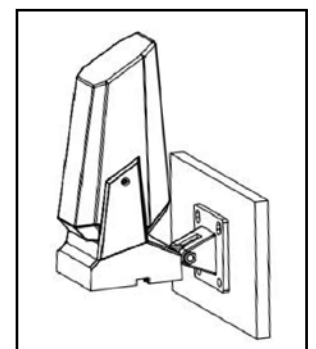


Figure 7

The connecting instruction:

1. Put the jumper cover to FLA, the warning light will always be on.
2. Put the jumper cover to COM, the warning light will flash.

